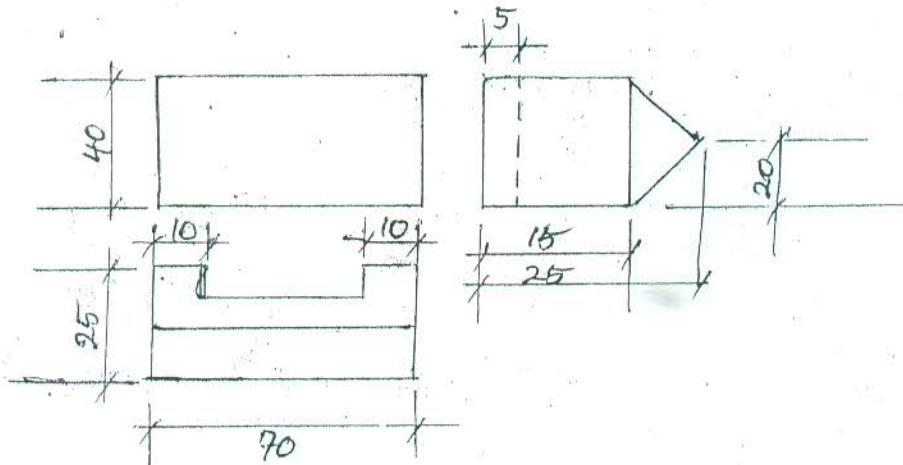


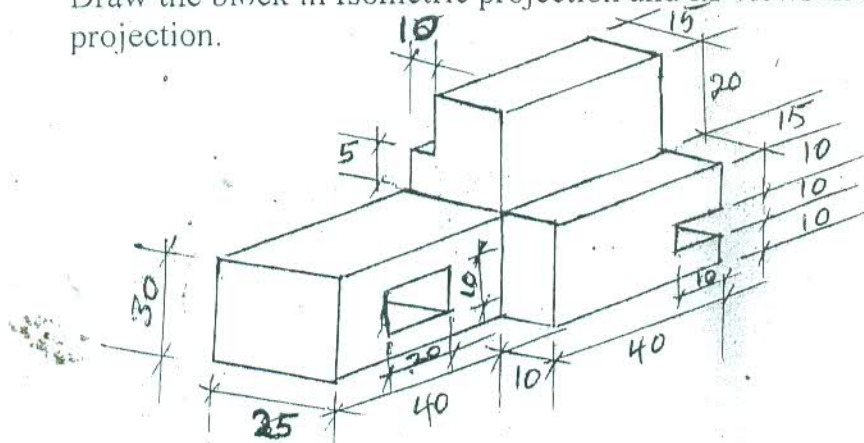
FEDERAL UNIVERSITY OF TECHNOLOGY, MINNA
DEPARTMENT OF INDUSTRIAL AND TECHNOLOGY EDUCATION
FIRST SEMESTER 2012/2013 EXAMINATION

COURSE TITLE: TECHNICAL DRAWING II
COURSE CODE: TCD 211
INSTRUCTION: ANSWER ANY FOUR QUESTIONS
TIME ALLOWED: 2:30 HRS

- Q. 1(a) Illustrate the construction of an ellipse applying auxiliary circle method. The diameters of the two concentric circles are 40mm and 80mm respectively.
- Q. 1(b) Demonstrate the construction of cycloid. Use 50mm as the diameter of the circle.
- Q. 2(a) Draw the views and complete the front elevation, and also draw the Isometric block of the object given below.



- Q.3 a) Draw the block in Isometric projection and its views in first angle projection.



- Q. 4(a) Construct the block given and its elevations in third angle projection. Use scale: 2:1.

