

1. The drawing in figure 1 shows a lever drawn in first angle projection with the parts fully assembled. Draw:
 - a. Sectional front view on the cutting plane D - D
 - b. The plan
 - c. End elevation
2. The elevation of a truncated cylinder is shown in figure 2.
 - a. Draw full size of a given view
 - b. Produce the pattern development of the cylinder
3. The front and end elevations of a cylinder are shown in figure 3.
 - a. Draw the given views
 - b. Draw an auxiliary plan looking in the direction of the arrow
4. A plate cam rotating clockwise is to give an in-line point follower, the following motion
 - 0° - 120° lift 32mm with uniform velocity
 - 120° - 180° dwell
 - 180° - 360° fall 32mm with simple harmonic motion.
 Draw the Cam profile if the minimum Cam radius is 38mm and the Camshaft diameter of 24mm

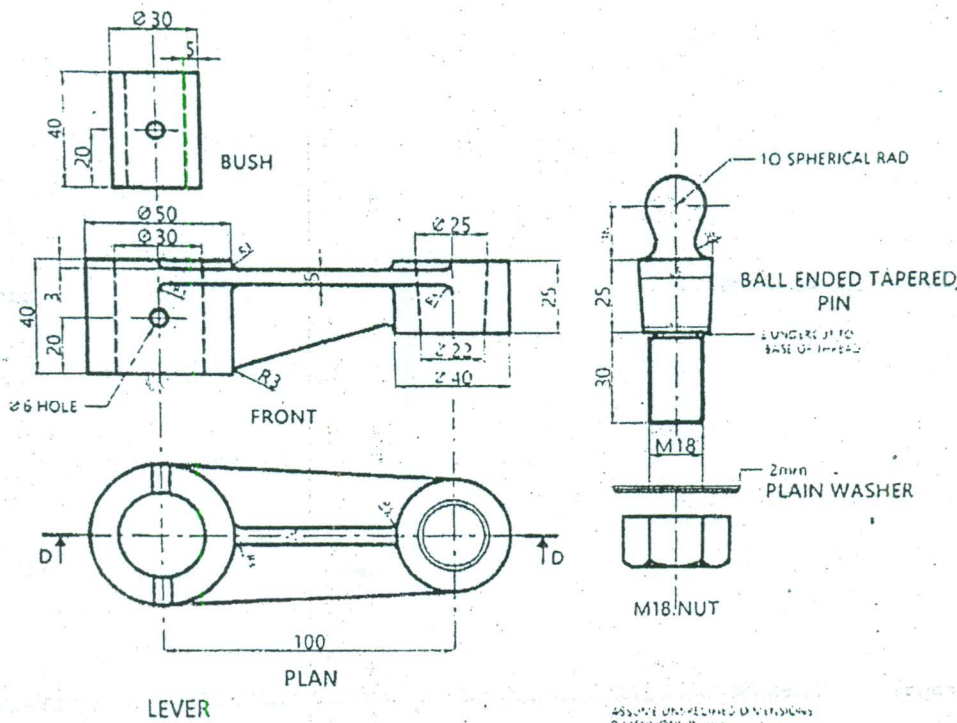


Figure 1