

FEDERAL UNIVERSITY OF TECHNOLOGY, MINNA  
 SCHOOL OF SCIENCE AND TECHNOLOGY EDUCATION  
 DEPARTMENT OF INDUSTRIAL AND TECHNOLOGY EDUCATION

FIRST SEMESTER EXAMINATION, 2022/2023 ACADEMIC SESSION

COURSE CODE : ITE 217 COURSE TITLE : Technical Drawing II TIME : 2 Hours

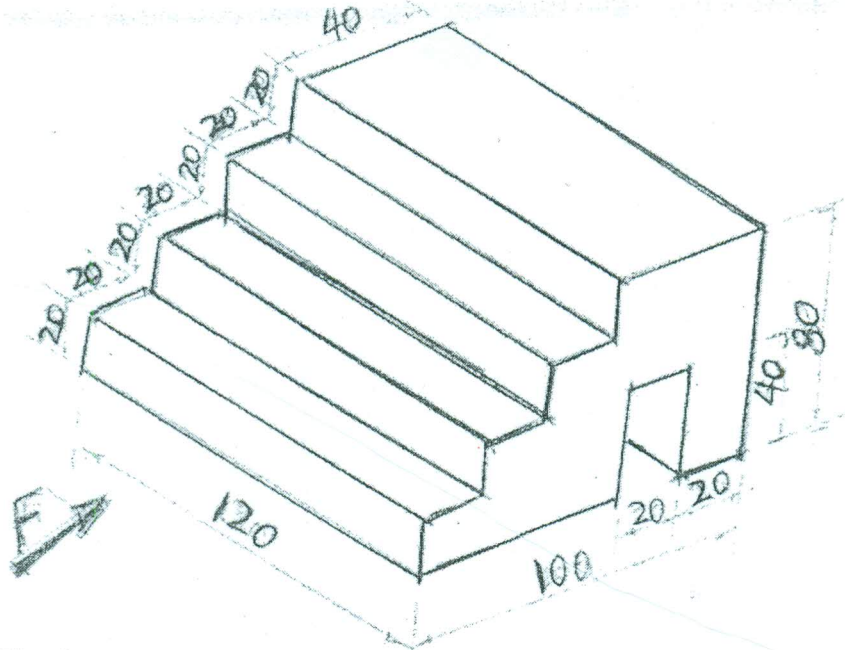
INSTRUCTIONS: Answer Four (4) Questions Only (Questions One and Two are COMPULSORY).

: For each question, show all the necessary construction details required.

For Neat Border Line, Title Block and Pencil Work (10 Marks).

1. In the drawing below, F indicates direction of Front Elevation. Draw to 1: 2 (Half Full Size) in Third Angle Orthographic Projection, the following views: (a)Front Elevation (b)Top View (Plan) (c)Right Side View.

\*Also draw the Engineering Symbol for this type of projection. ....15 marks.



2. The figure below shows the outline of a Mechanical Engineering Crane Hook. To a scale of 1: 2 (Half Full Size) draw the figure showing all the construction details necessary to obtain the True Outline of the Crane Hook. ....15 marks.

